

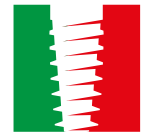


JDENTAL CARE

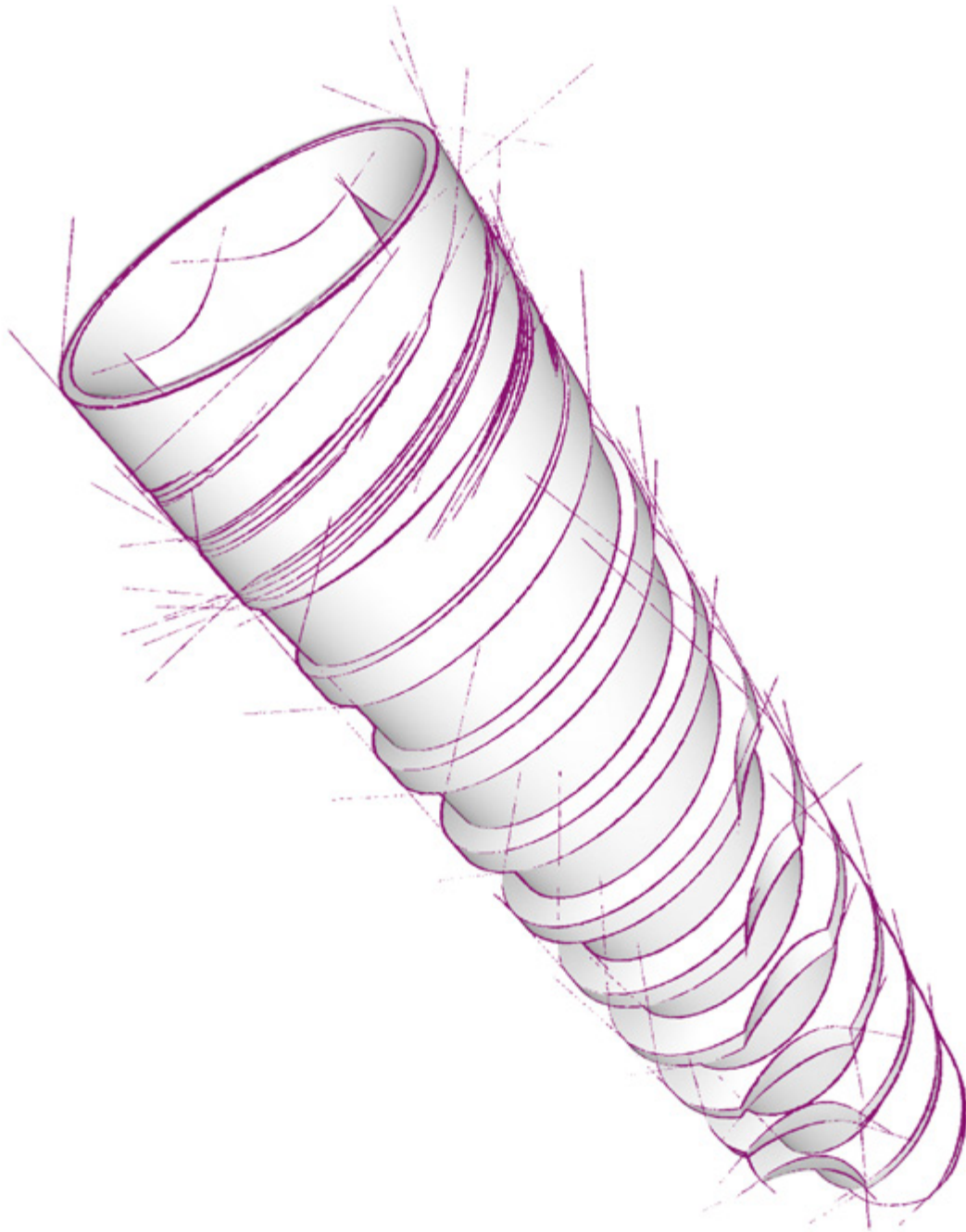
just smile



Approved



MADE IN ITALY



Dental Implant

JD EVOLUTION S

SAFE AS ALWAYS, THINNER THAN EVER



advantages

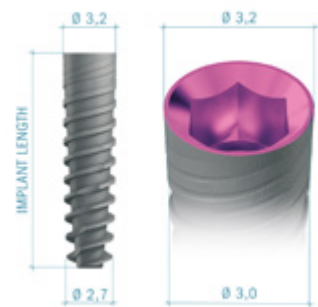
- High primary stability
- Self-cutting thread design
- The flat cutting apex allows for final redirection of the implant during its placement
- Immediate function capability
- Built-in Platform switching
- Solves problems of tight spaces
- Designed specifically for narrow spaces in the esthetic zone

IMPLANT MEASURES AND LENGTHS

The JDEvolution S dental implants are available in the lengths shown in the following table:

Implant lengths

| Ø 3,2mm | 8 mm | 10 mm | 11,5 mm | 13 mm | 15 mm |
|---------|------|-------|---------|-------|-------|
|---------|------|-------|---------|-------|-------|



DRILLING SEQUENCE

It is recommended to adhere to the indications of the following drilling sequence to ensure optimal primary stability of the implants

| IMPLANT DIAMETER | SOFT BONE TYPE IV | MEDIUM BONE TYPE II-III | DENSE BONE TYPE I |
|------------------|-------------------|-------------------------|-------------------|
| Ø 3,2 | 1,5 (2) | 2 2,4 | 2 2,4 (2,8) |

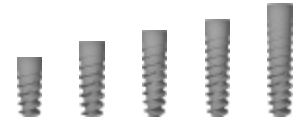
Note: all measurements in mm

PRODUCT CATALOGUE

Implants:

Ø 3,2

| | |
|---------|----------------------------|
| EV32080 | JDEvolution S Ø 3.2 L 8 |
| EV32100 | JDEvolution S Ø 3.2 L 10 |
| EV32115 | JDEvolution S Ø 3.2 L 11.5 |
| EV32130 | JDEvolution S Ø 3.2 L 13 |
| EV32150 | JDEvolution S Ø 3.2 L 15 |



Cover Screw:

| | |
|------|---------------------------|
| ESCS | Cover Screw JDEvolution S |
|------|---------------------------|



Healing Abutment:

| | |
|---------|--------------------------------------------|
| ESHA323 | Healing Abutment Ø 3.2 H 3.0 JDEvolution S |
| ESHA325 | Healing Abutment Ø 3.2 H 5.0 JDEvolution S |
| ESHA327 | Healing Abutment Ø 3.2 H 7.0 JDEvolution S |
| ESHA403 | Healing Abutment Ø 4.0 H 3.0 JDEvolution S |
| ESHA405 | Healing Abutment Ø 4.0 H 5.0 JDEvolution S |
| ESHA407 | Healing Abutment Ø 4.0 H 7.0 JDEvolution S |



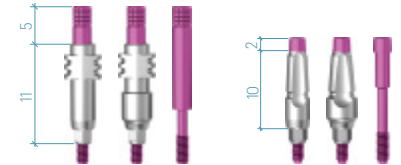
Impression Coping:

OPEN TRAY

| | |
|-----------|-------------------------------------------------|
| ESICOT32C | Impression Coping Open Tray Ø 3.2 JDEvolution S |
| ESICOT40C | Impression Coping Open Tray Ø 4.0 JDEvolution S |
| ESICOTS | Impression Coping Open Tray Screw JDEvolution S |

CLOSED TRAY

| | |
|-----------|---------------------------------------------------|
| ESICCT32C | Impression Coping Closed Tray Ø 3.2 JDEvolution S |
| ESICCT40C | Impression Coping Closed Tray Ø 4.0 JDEvolution S |
| ESICCTS | Impression Coping Closed Tray Screw JDEvolution S |



Temporary Abutment:

| | |
|---------|-----------------------------------------------|
| ESTAEC | Temporary Abutment Engaging JDEvolution S |
| ESTANEC | Temporary Abutment Non Engaging JDEvolution S |

Torque recommended 30 Ncm



Immediate Temporary Abutment:

| | |
|--------|--------------------------------------------|
| ESIT5C | Immediate Temporary Abutment JDEvolution S |
| EVITC | Immediate Temporary Abutment Healing Cap |



GP Abutment:

| | |
|-------------|-------------------------------------|
| ESGPAE32C | GP Abutment Ø 3.2 JDEvolution S |
| ESGPAE40C | GP Abutment Ø 4.0 JDEvolution S |
| ES15GPAE40C | GP Abutment 15° Ø 4.0 JDEvolution S |

Torque recommended 30 Ncm



Anatomic Abutment:

| | |
|---------|---------------------------------------------|
| ESAA15C | Anatomic Abutment Ø 4.0 H 1.5 JDEvolution S |
| ESAA30C | Anatomic Abutment Ø 4.0 H 3.0 JDEvolution S |

Torque recommended 30 Ncm



Wax up Abutment:

| | |
|---------|--------------------------------------------|
| ESWAEC | Wax-Up Abutment Engaging JDEvolution S |
| ESWANEC | Wax-Up Abutment Non Engaging JDEvolution S |

Torque recommended 30 Ncm



Cobalt-Chrome Abutment:

| | |
|-----------|---------------------------------------------------------|
| ESCCCEC | Cobalt-Chrome Abutment Engaging JDEvolution S |
| ESCCNEC | Cobalt-Chrome Abutment Non Engaging JDEvolution S |
| EVCACCNEC | Cobalt-Chrome Conical Abutment Non Engaging JDEvolution |

Torque recommended 30 Ncm



Prosthetic screw:

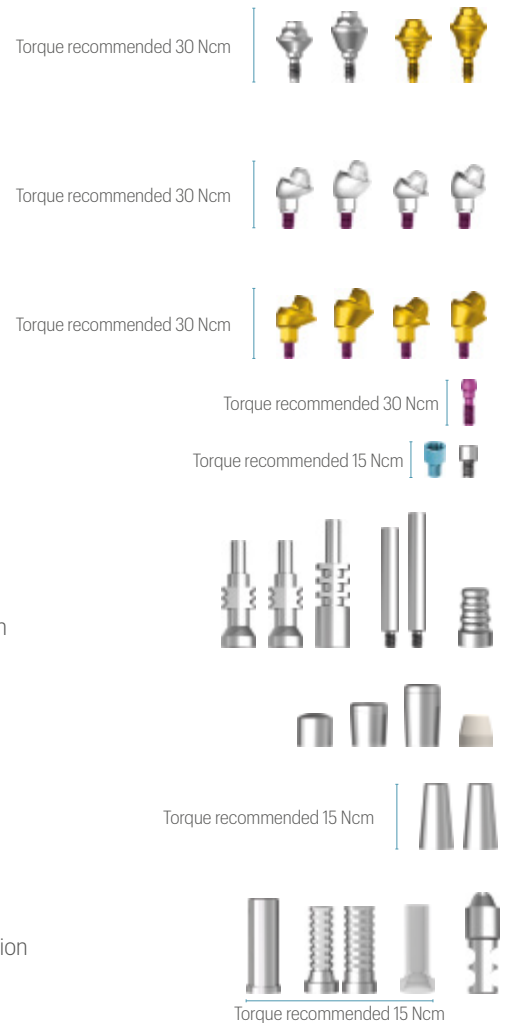
| | |
|------|------------------------------------------|
| ESS | Prosthetic Screw JDEvolution S |
| ESSA | Prosthetic Screw Angulated JDEvolution S |

Torque recommended 30 Ncm



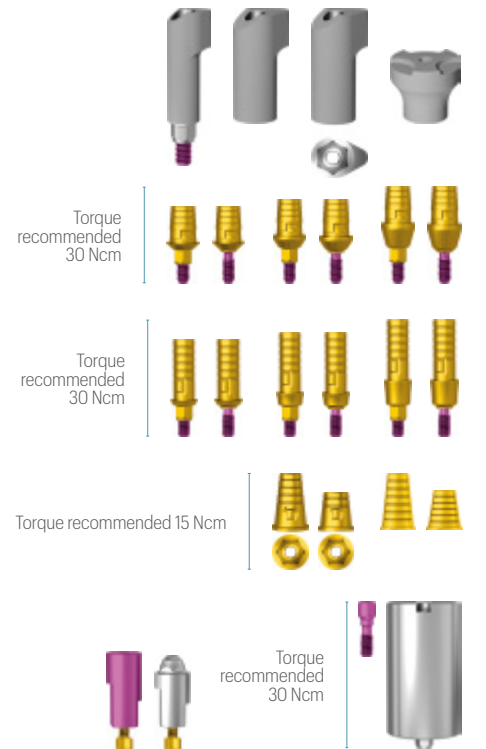
Conical Abutment:

| | |
|-------------|--------------------------------------------------------------------------|
| ESCA15C | Straight Conical Abutment H 1.5 JDEvolution S |
| ESCA30C | Straight Conical Abutment H 3.0 JDEvolution S |
| ESCA15TSC | Conical Abutment Tissue Straight H 1.5 JDEvolution S |
| ESCA30TSC | Conical Abutment Tissue Straight H 3.0 JDEvolution S |
| ESCA1725C | 17° Angulated Conical Abutment H 2.5 JDEvolution S |
| ESCA1735C | 17° Angulated Conical Abutment H 3.5 JDEvolution |
| ESCA3025C | 30° Angulated Conical Abutment H 2.5 JDEvolution |
| ESCA3035C | 30° Angulated Conical Abutment H 3.5 JDEvolution S |
| ESCA1725TSC | Conical Abutment Tissue Angulated 17° H 2.5 JDEvolution S |
| ESCA1735TSC | Conical Abutment Tissue Angulated 17° H 3.5 JDEvolution S |
| ESCA3025TSC | Conical Abutment Tissue Angulated 30° H 2.5 JDEvolution S |
| ESCA3035TSC | Conical Abutment Tissue Angulated 30° H 3.5 JDEvolution S |
| ESCASA | Angulated Conical Abutment Screw JDEvolution S |
| EVCAPS | Prosthetic Screw Conical Abutment JDEvolution |
| EVCAPSA | Prosthetic Screw Angulated for Conical Abutment JDEvolution |
| EVCAIOTEC | Conical Abutment Impression Coping Open Tray Engaging JDEvolution |
| EVCAICOTC | Conical Abutment Impression Coping Open Tray JDEvolution |
| EVCAICOTLC | Conical Abutment Impression Coping Open Tray Long JDEvolution |
| EVCAICOT02 | Screw for Conical Abutment Impression Coping Open Tray JDEvolution |
| EVCAICOT04 | Screw for Conical Abutment Impression Coping Open Tray Long JDEvolution |
| EVCAICCTC | Conical Abutment Impression Coping Closed Tray |
| EVCAHC | Conical Abutment Healing Cap JDEvolution |
| EVCAHCL | Conical Abutment Healing Cap H 6.0 JDEvolution |
| EVCAHC9 | Conical Abutment Healing Cap H 9.0 JDEvolution |
| EVCAHCB | Conical Abutment Healing Cap Peek JDEvolution |
| EVCAGPAEC | GP Abutment Engaging for Conical Abutment JDEvolution |
| EVCAGPANEC | GP Abutment Non Engaging for Conical Abutment JDEvolution |
| EVCATANEWSC | Temporary Abutment Non Engaging Conical Abutment JDEvolution |
| EVCATANEC | Temporary Abutment Non Engaging Conical Abutment JDEvolution |
| EVCATANEWC | Temporary Abutment Non Engaging Conical Abutment for Welding JDEvolution |
| EVCAWANEC | Wax-Up Abutment Non Engaging for Conical Abutment |
| EVCAAR | Conical Abutment Replica |



TiBase, JDSscanBody and Implant Replica CAD CAM:

| | |
|--------------|-------------------------------------------------------------------------|
| ESSBCEC | ScanBody Engaging JDEvolution S |
| EVCASBCEC | ScanBody Conical Abutment JDEvolution |
| EVCASBCEEC | ScanBody Engaging Conical Abutment |
| EVCASBCECSC: | On Top ScanBody Conical Abutment JDEvolution Plus* |
| ESTIBC | TiBase Engaging Ø4.25 H 0.5 C 4.7 JDEvolution S |
| ESTIBNEC | TiBase Non Engaging Ø4.25 H 0.5 C 4.7 JDEvolution S |
| ESTIB15C | TiBase Engaging Ø4.25 H 1.5 C 4.7 JDEvolution S |
| ESTIB15NEC | TiBase Non Engaging Ø4.25 H 1.5 C 4.7 JDEvolution S |
| ESTIB30C | TiBase Engaging Ø4.25 H 3.0 C 4.7 JDEvolution S |
| ESTIB30NEC | TiBase Non Engaging Ø4.25 H 3.0 C 4.7 JDEvolution S |
| ESTIBNC | TiBase Long Engaging Ø 3.5 H 0.5 C 7.7 JDEvolution S |
| ESTIBNENC | TiBase Long Non Engaging Ø 3.5 H 0.5 C 7.7 JDEvolution S |
| ESTIB15NC | TiBase Long Engaging Ø 3.5 H 1.5 C 7.7 JDEvolution S |
| ESTIB15NENC | TiBase Long Non Engaging Ø 3.5 H 1.5 C 7.7 JDEvolution S |
| ESTIB30NC | TiBase long Engaging Ø 3.5 H 3.0 C 7.7 JDEvolution S |
| ESTIB30NENC | TiBase long Non Engaging Ø 3.5 H 3.0 C 7.7 JDEvolution S |
| EVCAITEC | Interface CAD CAM for Conical Abutment Engaging JDEvolution (H 7.5) |
| EVA139C | TiBase Engaging for Conical Abutment (H 5.0) |
| EVCAITC | Interface CAD CAM for Conical Abutment Non Engaging JDEvolution (H 7.3) |
| EVCATIBC | TiBase for Conical Abutment JDEvolution (H 5.0) |
| ESANCN | Implant Replica CAD CAM New JDEvolution S |
| EVCAARCN | Conical Abutment Replica CAD CAM New |
| ESPMNC | Pre-milled Abutment Blank JDEvolution S |



*for screw use JDEvolution Plus prosthetic screwdriver

Implant Replica:

| | |
|------|-------------------------------|
| ESAN | Implant Replica JDEvolution S |
|------|-------------------------------|



Ball Abutment:

| | |
|--------|--------------------------------------------------|
| ESBA15 | Ball Abutment H 1.5 JDEvolution S |
| ESBA30 | Ball Abutment H 3.0 JDEvolution S |
| ESBA50 | Ball Abutment H 5.0 JDEvolution S |
| EVBAA | Ball Abutment Replica |
| EVBAHC | Ball Abutment Elastic Retention Cap w/ Container |
| EVBAN | Ball Abutment Retention Cap |

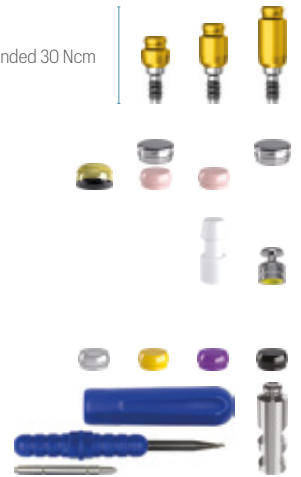
Torque recommended 30 Ncm



Emi Abutment:

| | |
|----------|-------------------------------------------------|
| ESEMI15 | Emi Abutment H 1.5 JDEvolution S |
| ESEMI30 | Emi Abutment H 3.0 JDEvolution S |
| ESEMI50 | Emi Abutment H 5.0 JDEvolution S |
| EVEMISCK | Smart cap attachment Emi Abutment |
| EVEMIHC | Emi Abutment Elastic Retention Cap w/ Container |
| EVEMIN | Emi Abutment Elastic Retention Cap (1.2 kg) |
| EVEMIH | Emi Abutment Container |
| EVEMIC | Emi Abutment Plastic Impression Coping |
| EVEMIIC | Emi Abutment Steel Impression Coping |
| EVEMINT | Emi Abutment White Retention Cap (1.8 kg) |
| EVEMINY | Emi Abutment Yellow Retention Cap (0.6 kg) |
| EVEMINP | Emi Abutment Purple Retention Cap (2.5 kg) |
| EVEMINB | Emi Abutment Retention Cap for Laboratory |
| EVEMIEIT | Extractor-insertion Tool For Caps |
| EVEMIA | Emi Abutment Replica |

Torque recommended 30 Ncm



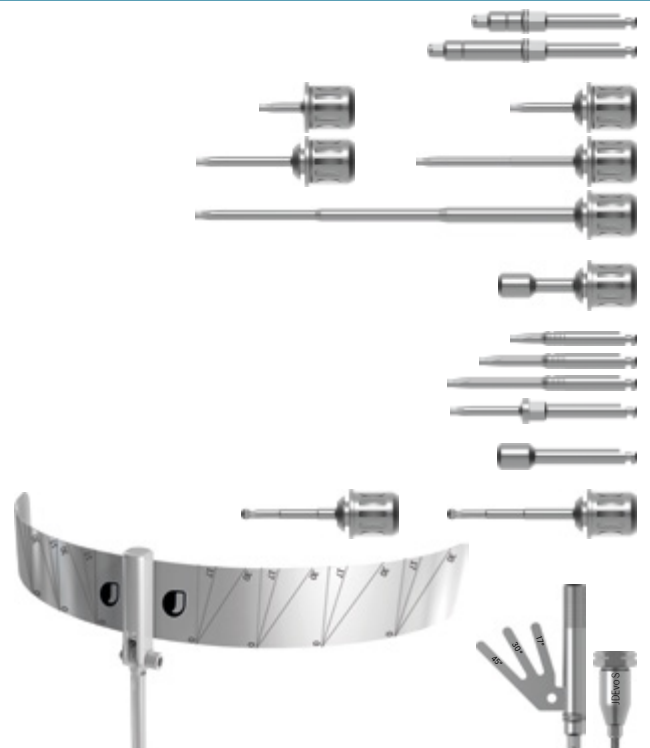
Bone Mill:

| | |
|--------|-----------------------------------------|
| ESBM5C | Bone Mill Ø 5.0 and Guide JDEvolution S |
| ESBM6C | Bone Mill Ø 6.0 and Guide JDEvolution S |
| JDBM3 | Bone Mill Guide JDEvolution S |



Implant and Prosthetic Drivers:

| | |
|-----------|----------------------------------------------------|
| ESID | Implant Driver JDEvolution S |
| ESIDL | Implant Driver Long JDEvolution S |
| EVSDPF15 | Prosthetic Driver for JDTorque L 15 |
| EVSDPF20 | Prosthetic Driver for JDTorque L 20 |
| EVSDPF25 | Prosthetic Driver for JDTorque L 25 |
| EVSDPF35 | Prosthetic Driver for JDTorque L 35 |
| EVSDPF60 | Prosthetic Driver for JDTorque L 60 |
| EVSDCAF | Conical Abutment Driver for JDTorque |
| EVSDP20 | Prosthetic Driver L 20 |
| EVSDP25 | Prosthetic Driver L 25 |
| EVSDP30 | Prosthetic Driver L 30 |
| JDPD103 | Prosthetic Driver for Surgical Driver |
| EVSDCA | Conical Abutment Driver |
| EVSDPF25A | Angulated Screw Driver for JDTorque L 25 |
| EVSDPF30A | Angulated Screw Driver for JDTorque L 30 |
| JDG | JDGuide |
| ESAMT | Conical Abutment Aligning Instrument JDEvolution S |
| ESGMC | Implant Mounter for JDEvolution S |





JDENTALCARE

www.jdentalcare.com

JDentalCare, the JDentalCare logo and other trademarks mentioned in this document are, excluding specifically mentioned exceptions, trademarks property of JDentalCare.

The images of the products represented in this brochure are not necessarily to scale.

Note: Not all products manufactured by JDentalCare and represented in this brochure have been regulatory cleared/released for sale in all countries and/or have been licensed in accordance with FDA Rules and Regulations.

For more information about current product assortment and availability, please contact your local JDentalCare distributor. For prescription only.

Caution: Federal (US) law restricts this device to sale by or on the order for a licensed dentist.

See instructions for use for more information such as indications, warnings, precaution and contraindications.

REV. 28 of 2023-12-14